

HELI

DIESEL PNEUMATIC TIRE FORKLIFT

- ENHANCED COMFORT THROUGH INNOVATIVE DESIGN
- LEGENDARY HELI QUALITY
- LOW COST OF OWNERSHIP
- POWERFUL PERFORMANCE



2,000-3,500 Lbs



<http://www.helichina.net>

MANUFACTURER: **ANHUI HELI CO., LTD.**

DISTRIBUTOR : ANHUI HELI INDUSTRIAL VEHICLE IMPORT & EXPORT CO.,LTD.

Add: 15, Wangjiang West Road, Hefei, China
P.C: 230022

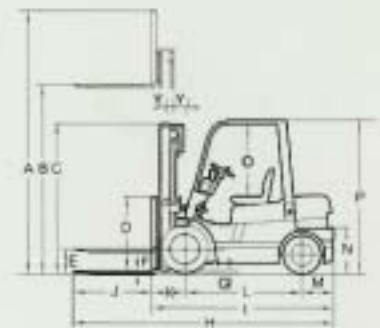
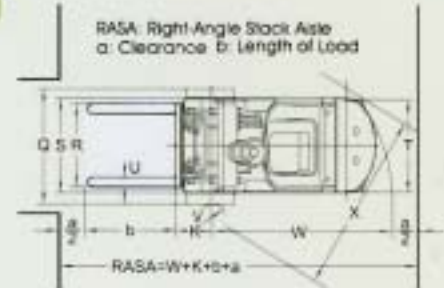
TEL: (0086) 551-3639068
FAX: (0086) 551-3639966

E-mail: heli_jck@heliforklift.com



SPECIFICATIONS

Manufacturer		HELI		
Model		CPCD10	CPCD15	CPCD18
Load Capacity	lbs	2000	3000	3500
Load Center	in	24	24	24
Lifting Speed (With/Without Load)	fpm	128	128	128
Max. Travel Speed	mph	9	9	9
Max. Drawbar Pull (Without/with load)	lbs	2723/4156	2723/4156	2723/4156
Max. Gradeability (Without/with load)	%	28/45	23/35	22/31
Tilt Angle (F/B)	deg	6/12	6/12	6/12
Overall Height Forks Raised	A in	170	170	170
Max. Fork Height	B in	130	130	130
Overall Height Upright/Lowered	C in	84.4	84.4	84.4
Free Lift	E in	6.1	6.1	6.1
Overall Length(With Forks)	H in	115.8	124.1	125.7
Overall Length(Without Forks)	I in	85.5	87.8	89.5
Min. Under-Clearance	G in	4.3	4.3	4.3
Overhang (Front/Rear)	K/M in	16.6/13.8	16.6/16.1	16.7/17.7
Wheel Base	L in	55.1	55.1	55.1
Overall Height (With Overhead Guard)	P in	81.5	81.5	81.5
Overall Width	Q in	42.1	42.1	42.1
Opening Of forks	R in	7.87-37.4	7.87-37.4	7.87-37.4
Tread (Front/Rear)	S/T in	35/36.2	35/36.2	36.2/36.2
Min. Turning Radius(Outside)	X in	74	77	78
Min. Intersecting Aisle	W in	66.5	69.7	70.5
Fork Size	J/U/F in	30.3/3.9/1.2	36.2/3.9/1.4	36.2/3.9/1.5
Engine Model			KUBOTA V2403	
Rated Horsepower	hp/rpm		47.5/2400	
Rated Torque	lb ft/rpm		114.2/1600	
Battery Voltage /Capacity	V/Ah		12/80	
Tires (Front)			6.50-10-10PR	
Tires (Rear)			5.00-8-8PR	
Service Weight	lbs	4850	5860	6370



For Your Safety

Before operating a lift truck, an operator must:

- *Be trained and authorized
- *Read and understand the operator's manual
- *Not operate a faulty lift truck
- *Not repair a lift truck unless trained and authorized
- *Have the overhead guard and load backrest extension in place

During operation, a lift truck operator must:

- *Wear a seat belt
- *Keep entire body inside truck cab
- *Never carry passengers or lift people
- *Keep truck away from people and obstructions
- *Travel with lift mechanism as low as possible and tilted back

To park a lift truck, an operator must:

- *Completely lower forks or attachments
- *Shift into neutral
- *Turn key off
- *Set parking brake



CE Certification



ISO9001 Certification

